

M20 Condenser Microphone System

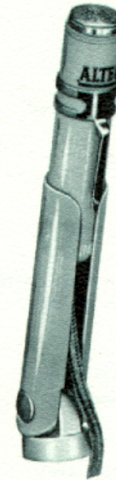
M20



525A Power Supply



M20 Microphone
with 170B Windscreens
Attached



21D Microphone, 165A Base,
166A Attachment

Features:

- Small size
- Smoothest frequency response
- Omnidirectional pickup
- Laboratory quality
- Shock & blast proof
- Non-magnetic
- Great stability
- Beautifully styled
- Lapel, stand, hand or suspension mount without accessories
- No-hum pickup

The Altec M20 "Lipstik" Microphone System represents a degree of quality, performance, and flexibility which cannot be found in any other commercial microphone. Heart of the system is the 21D Condenser Microphone which is the only embodiment of the condenser principle that has successfully combined the quality that makes this type of microphone desirable as a laboratory standard and the durability necessary for the most grueling commercial use. In fact, its smooth wide-range response makes it superior to any other type of commercial microphone, and it is so rugged that it will withstand the severest shocks.

The complete M20 system consists of the 21D Microphone, the 165A Base, the 166A "slip-on" Stand Holder and Swivel, 15 feet of slender, highly flexible Fiberglas covered mike cable and the 525A Power Supply. As supplied, the M20 system can be used as a stand-mounted or suspended microphone, can be quickly slipped from its stand holder for hand use or complete freedom of movement, may be clipped to the lapel or clothing with the sturdy clip attached to the base.

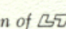
The 525A Power Supply provides the necessary voltages to polarize the condenser microphone, the sub-miniature impedance-matching tube and printed circuit in the 165A Base, to which the microphone is attached.

Output from the Power Supply is for unbalanced lines. Balanced output can be obtained through the addition of the accessory 4665 Matching Transformer.

The extreme smoothness of response and great uniformity of the omnidirectional pickup make the M20 Microphone System ideal for all quality recording and broadcast requirements. Its smoothness permits higher average sound levels in public address systems before feedback is encountered.

In addition, its ruggedness and freedom from magnetic pickup make it ideal in the most difficult industrial and outdoor applications.



A Division of  Ling Altec, Inc.

1515 S. Manchester Ave., Anaheim, Calif.

New York

SPECIFICATIONS

| | |
|-------------------------------|--|
| Type: | Condenser — Omnidirectional |
| Frequency Response: | 20 to 15,000 cycles |
| Output Level (Unbalanced): | @ 30 ohms, —59 dbm/10 dynes/cm ² @ 150 ohms, —53 dbm/10 dynes/cm ² @ 600 ohms, —49 dbm/10 dynes/cm ² @ Hi Z, 44 dbm/10 dynes/cm ² (10,000 ohms) or —30 db/1 v/10 dynes/cm ² |
| (Balanced): | Using 4665 plug-in transformer: 30, 150, or 600 ohms, —48 dbm/10 dynes/cm ² |
| Load Impedance: | 30, 150, 600 and 10,000 ohms, unbalanced 30, 150, and 600 ohms, balanced using 4665 transformer |
| Pickup Pattern: | Omnidirectional |
| Hum: | Not susceptible to magnetic fields |
| Capacitance: | 6 mmf. |
| 21D Microphone Dimensions: | 5/8" diameter, height 3/8" |
| 21D Microphone Weight: | 1/4 oz. |
| Unit Separation: | The microphone may be separated from the power supply up to 400 feet without any impairment in operation. |
| Cathode Follower Tube: | One 5840 |
| 165A Base Dimensions: | Length 2 15/16" (length in 166A attachment 5 1/4" including 21D) Diameter 1 1/16" Weight 2 1/2 oz. |
| 166A Stand Attachment: | Length 3 3/4" Diameter 3/4" |
| 525A Power Supply Dimensions: | Length 8 5/8" Width 2 3/8" Depth 7 1/2" Weight 5 1/2 lbs. |
| 525A Power Requirements: | 117 volts, 60 cycle, 15 watts |
| Microphone Mounting: | Suspension or hand held; and, with 166A attachment, 5/8" — 27 thread |
| Finish: | Microphone unit: stainless steel. Stand attachment: instrument gray with high impact styrene plastic. Power supply: instrument gray. |
| Accessories: | 168A Windscreen 170B Windscreen 4665 Transformer |

See "Microphone Accessories" catalog sheet for desk and floor stands, balanced line transformers, extension cable sets, bulk cable, rack mounting facilities, wind screens, and other microphone accessories.

ARCHITECTS AND ENGINEERS SPECIFICATIONS

This microphone system shall be of the condenser type complete with power supply and connecting cable and plug. The microphone shall have a smooth frequency response over the range of 20 to 15,000 cycles and shall be free from "peaks" and "valleys" permitting high gain without "feedback." The system output level shall be: at 30 ohms, —59 dbm/10 dynes/cm²; at 150 ohms, —53 dbm/10 dynes/cm²; at 600 ohms, —49 dbm/10 dynes/cm²; at Hi Z, —30 db/1 v/10 dynes/cm²; balanced, using 4665 plug-in transformer, 30, 150, or 600 ohms, —48 dbm/10 dynes/cm². The system shall be designed to be non-susceptible to magnetic fields, the condenser element shall have an omnidirectional pickup pattern and the capacitance of the element shall be 6 mmf.

The condenser element shall measure no more than 5/8" diameter, 3/8" high, weigh 1/4 oz., and when fixed to the cathode follower base shall measure no more than 2 15/16" over-all. The system shall contain a standard attachment with 5/8" — 27 thread.

The standard attachment shall be of the slip-on type and when attached to the cathode follower base shall not exceed 5 1/4" over-all length with a diameter no greater than 3/4".

The complete system shall be composed of: a condenser microphone element with cathode follower base which shall not exceed 5 1/4" over-all length with a diameter no greater than 1 1/16"; and shall have a power supply to provide all necessary voltages for proper operation. Shall contain a clamped diaphragm of gold and glass in a stainless steel casing.

Microphones utilizing plastic components with painted finish shall not be acceptable under these specifications.

If used on balanced lines, provisions shall be available in the power supply for a plug-in transformer. This transformer shall have 90 db shielding encased in a metal housing and shall measure in the order of 2 3/8" h, 2" w, and 1 1/2" d.

The microphone system shall be Altec Lansing Model M20.

NOTICE
We recommend that you obtain your Altec products from factory trained authorized Altec Sound Contractors and Distributors. This will assure you of proper installation, a continuing source of knowledgeable advice, service, and quick warranty protection.



ALTEC
LANSING®

**M-20 MICROPHONE
SYSTEM**

**OPERATING
INSTRUCTIONS**



MAKE SURE YOU HAVE ALL COMPONENTS BEFORE DESTROYING PACKING.

- 1—21 Condenser Microphone
- 1—165A Base with clip
- 1—P-525A Power Supply
- 1—166A Attachment equipped with swivel head with $\frac{5}{8}$ " x 27 thread.



A Division of **LSV** Ling Altec, Inc.
©Altec Lansing

1515 S. Manchester Ave., Anaheim, Calif.
New York

12052-2

Price \$.14

Litho in USA C/P

8/65

SPECIFICATIONS

Frequency Response: See curve.

Output Level with various loads:

Unbalanced—High impedance (10,000 ohms or higher)—
 30 db re 1 V, 10 dynes/cm²
 600 ohms—49 dbm re 10 dynes/cm²
 150 ohms—53 dbm re 10 dynes/cm²
 30 ohms—59 dbm re 10 dynes/cm²

Balanced—(Using 4665 plug-in transformer)
 600, 150 or 30 ohms—48 dbm re 10 dynes/cm²

Power Requirements: 117 V., 60 cycles, 15 watts

Physical: P-525A Power Supply—width 8⁵/₈"", height 2³/₈"",
 depth 7¹/₂"".

Finish—21 microphone, stainless steel; 165A base—
 gray anodize; P-525A Power Supply—silver gray
 cover with gray anodized panel.

Mounting—166A holder attachment threaded ⁵/₈"—27
 to mate with 22C floor or 24C desk stand or other
 standard microphone stand.

Weight—M-20 System (unpacked)—6 lbs., 11 oz.

Accessories: 4665 plug-in transformer for balanced output line.

167A extension cable 25 ft. long equipped with
 Cannon RWK 6-22C and RWK 6-21C cable con-
 nectors.

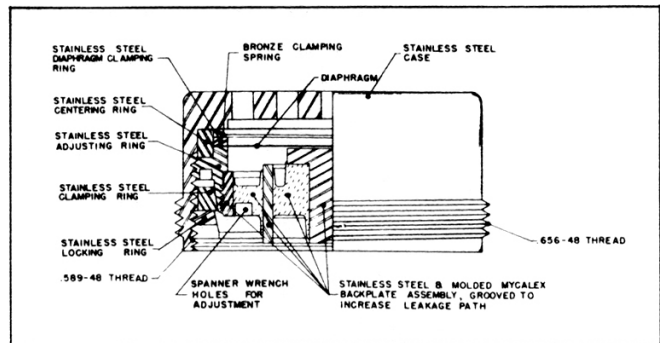
22C floor stand, adjustable 35" to 64".

24C desk stand.

11853 rack mounting assembly for two P-525
 power supplies, 3¹/₂ inches high x 19 inches wide
 x 7¹/₂ inches deep.

168A or 170B wind screen

169A shock mount



OPERATION

The "Lipstik" microphone system is designed to work with any existing microphone preamplifier or facility regardless of the input impedance. Aside from the outstanding advantages of this microphone, it differs from the conventional only in that the P-525A power supply must be connected between microphone and amplifier. The 165A base, containing the 5840 vacuum tube and 21 microphone, is terminated at the end of a 15' cable in a Cannon connector which in turn mates with its companion fitting on the panel of the P-525A power supply. Extension cables may be used as described below. The output appears at the end of the 2-conductor shielded cable extending from the power supply. The power supply must be energized from the 117 VAC 50-60 cps supply. The 166A holder will snugly grip the 165A base providing a light streamlined swivel attachment for floor or desk stand. Its modern line is achieved with ruggedness by combining a molded, high impact Styrene part with a satin chrome die cast swivel, containing the standard RTMA ⁵/₈"—27 thread. A jumbo size fountain pen clip provided, will allow the microphone to be attached to the lapel affording great freedom of action to the user.

OUTPUT CONNECTIONS

Unbalanced: As supplied, the P-525A power supply is equipped with an internal shorting plug which connects the output cable to the cathode follower, through isolating resistor and condenser. This condition is preferred when the following amplifier has a high impedance or unbalanced (transformerless) input. It may also be operated into amplifiers having low impedance input connections where line balance is not of importance and a small reduction of sensitivity can be tolerated. An instance of this operation would be a portable P.A. application in which microphone lines of limited length are used. When the plug is inserted, the black wire of the output cable is ground, thus is common with the shield.

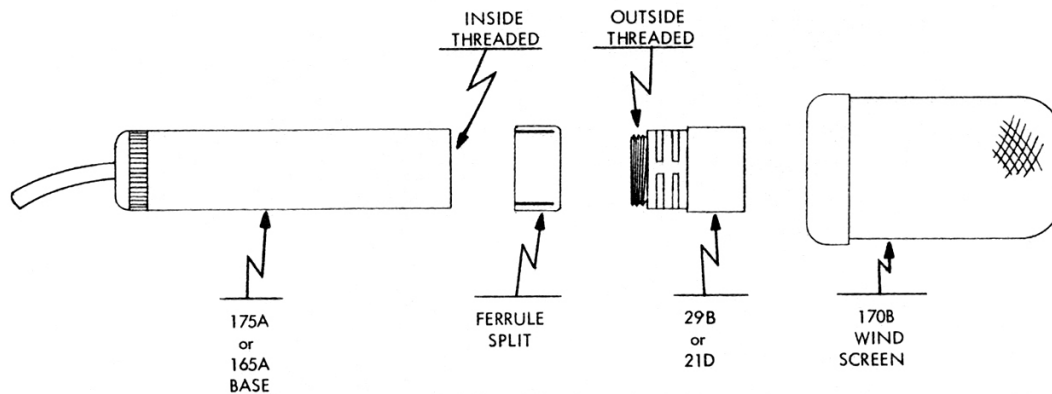
Balanced: Broadcast and recording applications normally require balanced or at least ungrounded signal lines in the interest of suppression of unwanted longitudinal signal currents and in maintaining the highest possible signal to noise ratio. This feature is provided by means of a plug-in transformer (4665) which may be inserted in the P-525A power supply (installation instructions are given under P-525A power supply). The socket into which the transformer is inserted is strapped to provide a load impedance of 150 ohms. Other load impedances of 30 and 600 ohms may be obtained by re-strapping the socket as indicated on the transformer schematic. Because of the great latitude in loading permitted by the cathode follower, it is suggested that all load impedances between 30 and 250 ohms be fed from the P-525A without modification of the transformer socket strapping.

Termination: When the 4665 balancing transformer is used, no termination other than that provided by the input transformer of the following amplifier is required. The unbalanced output (no 4665 transformer) requires termination when working into transformer loads of 600 ohms or less. A ¹/₂ watt resistor matching the transformer impedance within $\pm 20\%$ should be connected across the power supply output. This is most easily accomplished by installing the resistor in the power supply connector which will plug into the amplifier.

Sensitivity: The voltage developed at the grid of the first tube following the P-525A power supply, for a given microphone signal input, will be identical for all balanced line impedances where the amplifier input is matched, using the 4665 transformer. It will have the same value when the unbalanced (direct cathode follower) output is fed into the first tube of an amplifier not having an input transformer. However, when the unbalanced output is fed into low impedance transformers and loaded with a resistor, as described under *Termination*, the sensitivity will vary depending upon the load impedance. With a 600 ohm resistor termination working into a 600 ohm transformer, the voltage will be comparable to the above; with a 150 ohm resistor and 150 ohm transformer, the voltage will be 4 db lower and with a 30 ohm resistor and 30 ohm transformer, the voltage will be 10 db lower. These sensitivities are listed in the specifications relative to microphone inputs of 10 dynes/cm².

Extension Cable: The cable length supplied between microphone base and Cannon connector is 15 feet. Heavy duty, 25' extension cables are available as listed, or single lengths of Suprenant 5426 or equivalent six-conductor cable may be utilized to separate microphone base and power supply up to 400 feet. Beyond 400 feet, large conductors should be used for the heater leads to avoid excessive voltage drop.

21 Microphone (Fig. 1): The condenser microphone depends for its operation upon variations in its electrical capacitance caused by microscopic deflections of the diaphragm to a fixed electrode, when exposed to the pressure variations of a sound wave. The capacitance variation is converted to electrical signal by supplying a polarizing potential to the microphone through an extremely high resistance. In this case, the potential is 200 volts and the charging resistance is the insulation resistance of the associated vacuum tube and socket. Since the voltage e across the condenser is proportional to the charge Q divided by the capacitance c , it will decrease for a positive pressure applied to the diaphragm and increase for a negative applied pressure. Thus, the output is proportional to the diaphragm displacement for all frequencies above those at which the microphone reactance, $1/wc$, is commensurate with the leakage resistance. The capacitance of the condenser is approximately 6 mmf. Because of this high internal impedance, it is necessary to place the cathode follower tube, which serves as an impedance transformer, in close proximity to the microphone.



170B WINDSCREEN . . . The 170B windscreen has been developed for the M-20 and M-30 Altec microphone systems and is extremely effective in wind noise reduction and "Pop" elimination. The 170B windscreen will attenuate wind noise approximately 24 db without deteriorating the HF response, or discrimination in the case of the M-30 usage. An exploded view, Fig. 1, is shown to aid in the installation of the 170B windscreen. Remove the condenser microphone from its base by unscrewing it counter-clockwise.

Caution: The microphone unit 29B or 21D is a precision element and extreme care should be exercised in handling. Under no circumstances permit anything to touch the contact end of the microphone — the end unscrewed from the base — as this could result in damage to the microphone unit.

Slip the split ferrule over the base with the split end toward the cord on the base. Replace the condenser microphone in the base, inside the ferrule. The windscreen may now be slid over the condenser microphone and onto the ferrule until it 'bottoms.' It will be noted that the ferrule is split to provide tension on the windscreen and holds it firmly in place regardless of the position of the microphone and still allows it to be used with any base or stand accessory. If, for any reason, it should be desired to operate either the M-20 or M-30 Altec microphone system without the 170B windscreen (after it has been installed), it may be removed without detaching the split ferrule.

The "Pop," or explosive sound produced by most people when pronouncing the letter "P" and sometimes "B" in certain words, is effectively reduced with the 170B windscreen and therefore greatly increases the ease of close proximity work.

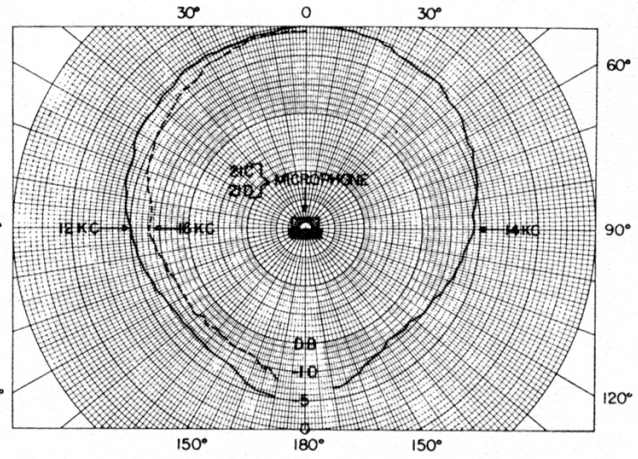
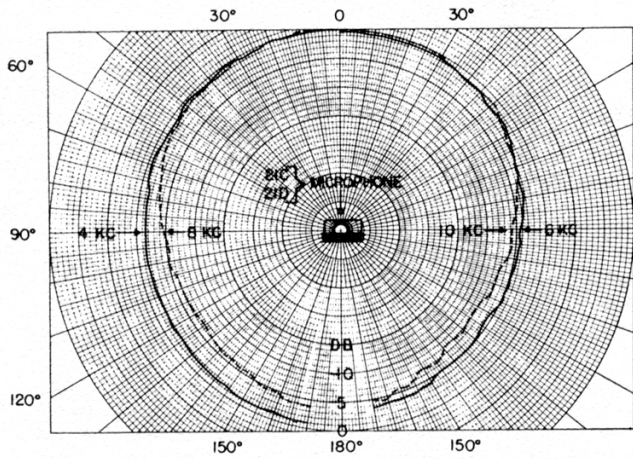
165A Base: The base performs the multiple purpose of mounting the microphone, housing the tube, and enclosing the cable connections to the tube. The inner structure of this assembly employs a printed circuit phenolic sleeve which supports the tube socket, providing solder terminating areas for cable wires and tube socket tabs, as well as providing the interconnecting wiring between socket and cable. The gold plated contact pin at the apex of the assembly is supported by a phenolic bearing cemented into the center hole of the socket and is connected to the grid by means of the compression spring which surrounds the pin. The cable clamp assembly consists of a special "O" ring, a brass washer, the anodized aluminum clamping nut which completes the case contour, and a gold plated brass part which supports the printed circuit sleeve and provides threads for mating the outer shell with the clamping nut. The cable shield and ground wire solder to the brass part and complete the connection to the microphone case through the outer aluminum shell. The 15' foot length of Tensolite 1883-H6 cable which is part of the base is a six-conductor shielded wire of small diameter and good flexibility, having an overall jacket of woven fiberglass material providing excellent abrasion resistance.

P-525A Power Supply: This unit, by means of a transformer, dry disk rectifiers and filters, supplies direct current potentials for operation of the 5840 cathode follower tube and condenser microphone in the 165A base. The circuits are conventional and the location of components are shown in the accompanying photographs. The shorting plug indicated must be removed when the line balancing transformer is used. When the transformer is inserted in the socket, it will be seen that two holes in the chassis line up with threaded inserts in the transformer (plug end). It is recommended that the transformer be secured to the chassis using the two screws furnished.

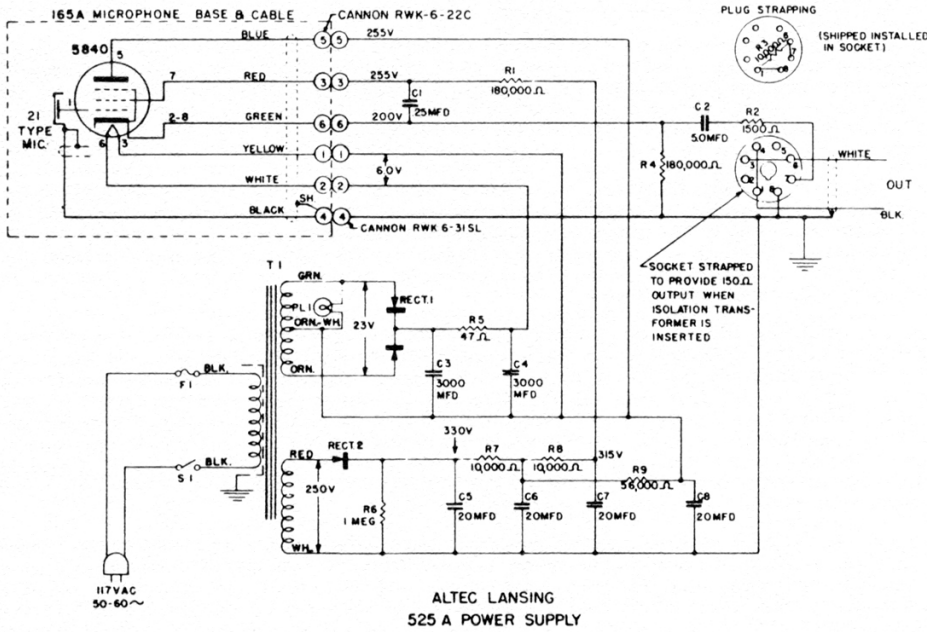
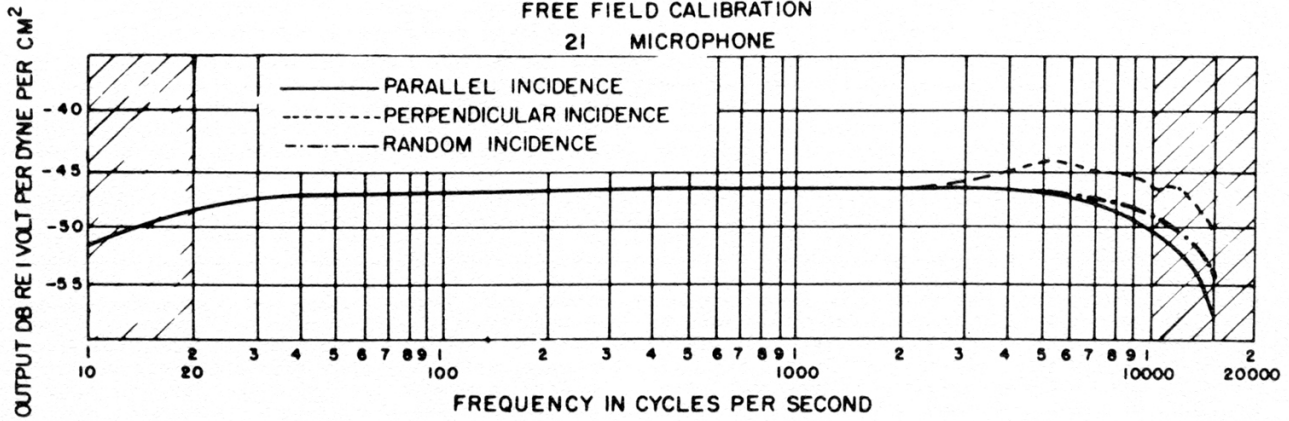
Service Data: Caution: when removing the cover from the P-525A power supply or the outer shell from the 165A base, disconnect the power supply from the power line. The metal condenser cans in the power supply are at a positive potential to ground and require approximately two minutes to lose the charge after the system is disconnected. If the system fails to operate and the pilot lamp does not glow, check power line connection and fuse located inside of chassis. If system operates but produces loud hum when the base or microphone is touched, it is an indication of a poor ground connection between the microphone case and the cable end of the assembly. To correct, tighten microphone and shell.

If the system is inoperative, but the power supply is producing normal heater and B supply voltages, the potential across R4 should be measured. R4 is the cathode load resistor for the 5840 tube in the 165A base. With the base disconnected from the power supply, no potential should exist. With the base connected and the microphone button either on or off of the base, the potential across R4 should be a nominal 200 volts. If this potential is not obtained, the 5840 vacuum tube is faulty or a cable short or open exists. If the 200 volts is obtained with the microphone button removed from the base, but not when it is connected, the microphone backplate has accumulated moisture. This sometimes occurs when the microphone has been stored in atmospheres approaching 100% humidity. The condition will sometimes correct itself in a short time due to the heating effect of the vacuum tube. If not, the microphone button can be removed from the base and placed in a ventilated 200° F. oven for a period of seven hours. There will be no harmful effects so long as the temperature does not inadvertently exceed 600° F.

The shell of the 165A base may be easily removed for inspection by holding firmly the knurled cable clamp nut and unscrewing the upper shell and microphone. It is recommended that the microphone not be removed from the base unless absolutely necessary. When it is removed, fingers and dirt should be kept away from the back plate surface and the breath, which contains moisture, should not be used to blow the assembly clean. The 5840 vacuum tube is a premium type designed for dependable performance under conditions of shock and vibration. Because of its rugged construction, it should provide extreme service life unless subjected to drastic abuse. It may be removed from its socket by grasping the two sides of the envelope with the fingers, through the openings in the phenolic sleeve, and rocking gently while withdrawing. When free, the tip end should be depressed into the sleeve until the pins clear the socket allowing it to be tilted out the larger opening in the sleeve. When re-inserting the tube, the same procedure should be used, entering the tip end of the sleeve first and depressing until the pins clear the opening, allowing alignment with the socket. When the shell is removed from the base, extreme care should be exercised to protect the spring loaded contact pin at the apex of the assembly from damage. Before reassembling, the vinyl insulator surrounding the soldered tube socket connections should be checked, as this is the only insulator between this point and the outer shell. The cable attached to the base may be replaced in the field, if necessary, the cable clamp is released by holding the upper gold plated brass part by means of a length of 1/8 inch diameter drill rod entered in the radially located hole and unscrewing the knurled nut using pliers with padded jaws. Connections to the printed circuit may be soldered using a minimum of heat and preferably using low temperature solder intended for the purpose such as National Lead Co. No. 604-AG. When reassembling the clamp, the 1/8" diameter drill rod serves also as a gauge, the knurled aluminum nut being tightened until it touches the rod.

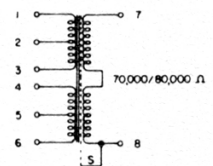


FREE FIELD CALIBRATION
21 MICROPHONE



| PARTS LIST | |
|-------------|--|
| C1 | 25MFD, 400V ± 20% METALIZED PAPER - HOPKINS ENCO. 15-391-4 |
| C2 | 50MFD, 200V ± 20% METALIZED PAPER-ELECTROCAP AE 10286 |
| C3, 4 | 3000 MFD, 15V MALLORY WPO42 |
| C5, 6, 7, 8 | 20-20-20-20 MFD, 450V MALLORY FP444 |
| R1, 4 | 180,000 OHM, 1/2 WATT ± 1% |
| R2 | 1500 " " " " ± 10% |
| R3, 7, 8 | 10,000 " " " " " " |
| R5 | 47 " " " " " " |
| R6 | 1 MEG, 1/2 " " " " " " |
| R9 | 56,000 " " " " " " |
| RECT. 1 | RECTIFIER - FANSTEEL BB 083 M |
| RECT. 2 | " INTERNATIONAL RESISTANCE CO. 19PA 20 |
| PL1 | PILOT LIGHT - 1488 |
| F1 | FUSE - 1/2 AMP, 3AG - LITTLEFUSE 312,500 |
| S1 | SWITCH - H & H 1561 |
| T1 | TRANSFORMER - ALTEC 6088 |

4665 TRANSFORMER



| IMPEDANCE OHMS | CONNECT TO | STRAP |
|----------------|------------|----------------------|
| 30/30 | 1-6 | 1-5, 2-6 |
| 125/150 | 1-6 | 1-4, 3-6 (CT OF 2-5) |
| 250/300 | 1-6 | 2-4, 3-5 |
| 500/600 | 1-6 | 3-4, (CT) |